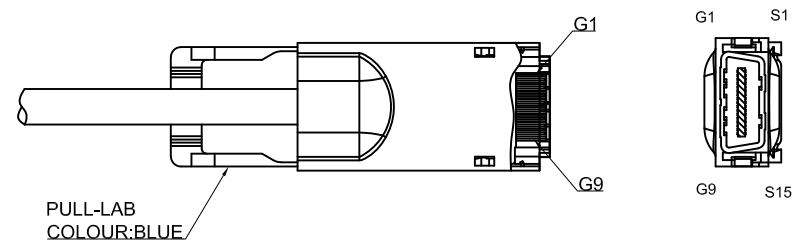
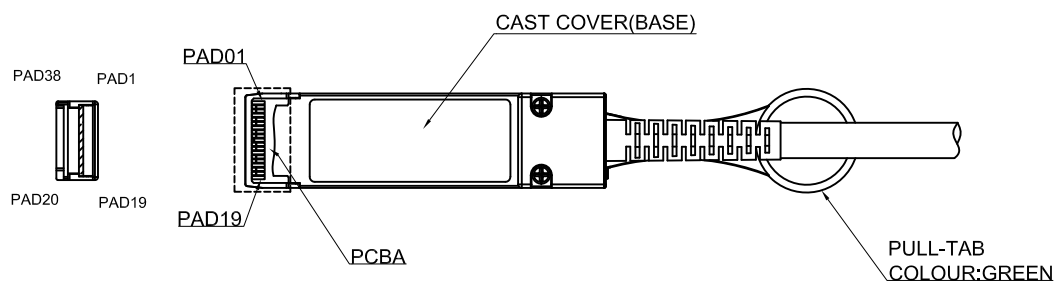
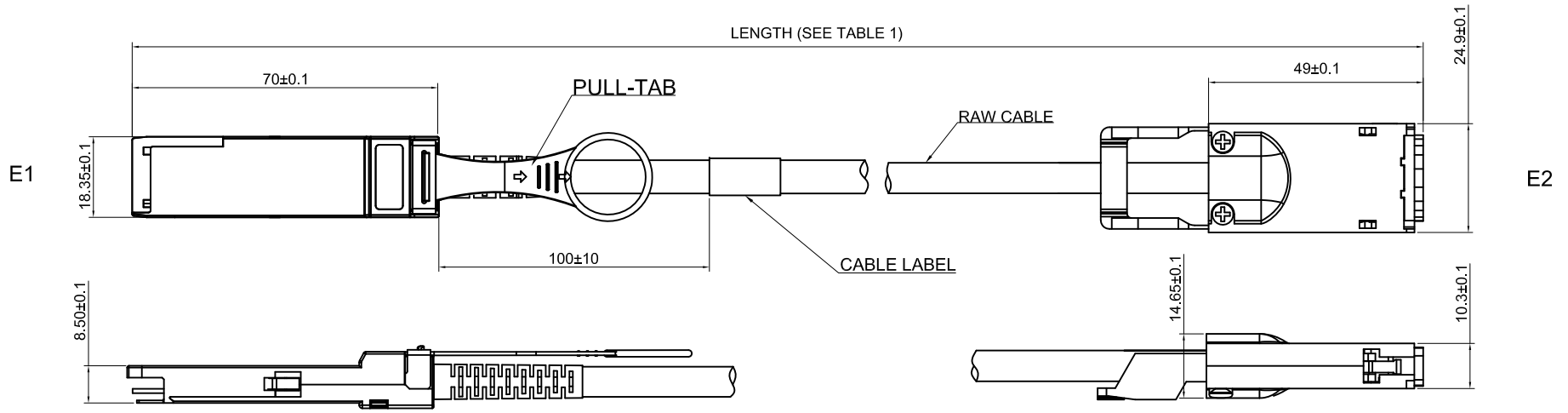


REV.	CONTENT	BY
1.0	NEW	Tyrone
1.1	CHANGE THE BEND RADII	FAN



- NOTES:**
- CABLE DISTANCE DEPENDENCE ON WIRE GAUGE DATA RATE,AND HOST BOARD DRIVER CAPABILITIES
 - MATERIALS:
 - BACKSHELLS: ZINC DIE CAST WITH BRIGHT NICKEL PLATING
 - DE-LATCH: STAINLESS STEEL WITH OVER MOLDED NYLON
 - SCREW: STAINLESS STEEL
 - CABLE: SOLID SILVER PLATED COPPER. 2 INDIVIDUAL SHIELDED PAIRS WITH 8 SHIELDED OVERALL (JACKET COLOR: BLACK)
 - PCB: FR44 LAYERS
 - IMPEDANCE-100 OHMS DIFFERENTIAL
 - TWO-WIRE SERIAL MEMORY: EERPOM(256BYTES),DIGITAL MONITORING & CONTROL FUNCTION AND MEMORY PAGE NOT SUPPORTED.
 - THIS PRODUCT MEETS THE RESTICTION OF HAZARDOUS SUBSTANCES IN ELECTRICAL AND ELECTRONIC REQUIREMENTS (ROHS)
 - COMPLIANT TO INDUSTRY STANDARDS:QSFP+MSA SFF-8436 AND SFF-8470

X. ±0.2	X° ±2°	UNITS mm	NAME(CUSTOMER USE)	 10GTEK TRANSCEIVERS CO., LTD						
.X ±0.1	X° ±1.5°	MAT'L	PRODUCT NO.							
.XX ±0.1	XX° ±1°	FINISH	See Table 1	TITLE: QSFP TO CX4 PASSIVE COPPER CABLE ASSEMBLY						
.XXX ±0.03	.XXX° ±0.5°		QTY	APPD: NICKY	DWG NO: W-R&D-P072					
THESE DRAWING AND SPECIFICATIONS ARE THE PROPERTY OF 10GTEK TRANSCEIVERS CO.,LTD. AND SHALL NOT BE REPRODUCED COPIED OR USED IN ANY MANNER WITHOUT THE PRIOR WRITTEN CONSENT OF 10GTEK TRANSCEIVERS CO.,LTD			CHKD: TYRONE	<table border="1"> <tr> <th>SCALE</th> <th>SHEET</th> <th>REV.</th> </tr> <tr> <td>1:1</td> <td>1/2</td> <td>1.1</td> </tr> </table>	SCALE	SHEET	REV.	1:1	1/2	1.1
			SCALE		SHEET	REV.				
			1:1		1/2	1.1				
DR: FAN										

TABLE 1:

ITEM	10GTEK P/N	DESCRIPTION	LENGTH	CABLE AWG
1	CAB-QSFP/CX4-P50CM-01-6-2	QSFP-CX4 Copper Cable Assembly,0.5M 30AWG Passive	500±10mm	30 AWG
2	CAB-QSFP/CX4-P1M-01-6-2	QSFP-CX4 Copper Cable Assembly,1M 30AWG Passive	1000±30mm	30 AWG
3	CAB-QSFP/CX4-P2M-01-6-2	QSFP-CX4 Copper Cable Assembly,2M 30AWG Passive	2000±30mm	30 AWG
4	CAB-QSFP/CX4-P3M-01-6-2	QSFP-CX4 Copper Cable Assembly,3M 30AWG Passive	3000±30mm	30 AWG
5	CAB-QSFP/CX4-P5M-01-7-2	QSFP-CX4 Copper Cable Assembly,5M 28AWG Passive	5000±90mm	28 AWG

CABLE CONNECTION:

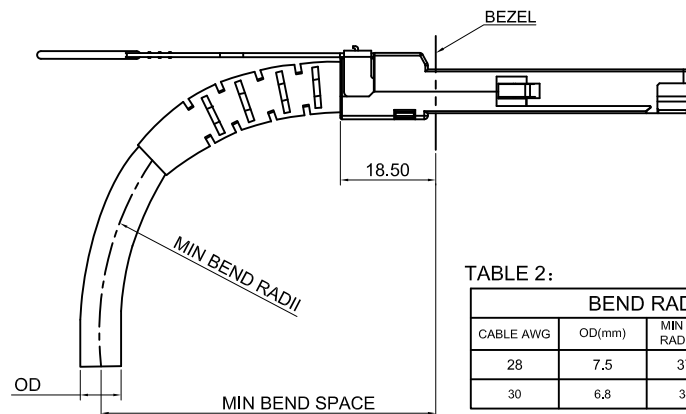
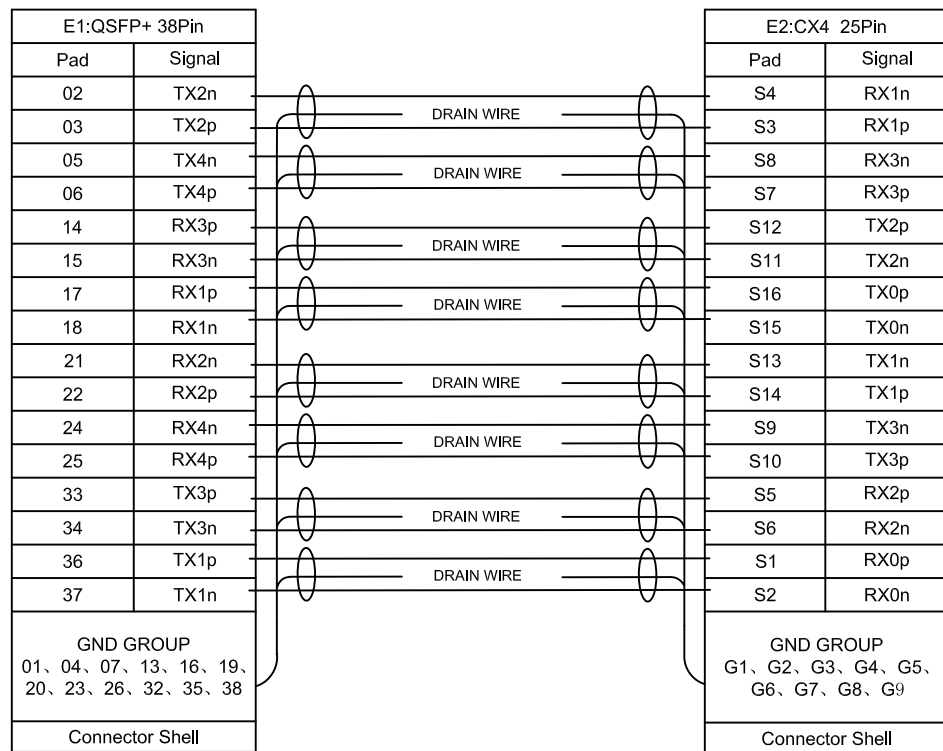


TABLE 2:

BEND RADII			
CABLE AWG	OD(mm)	MIN BEND RADIUS(mm)	MIN BEND SPACE
28	7.5	37.5	56.00
30	6.8	34.0	52.50

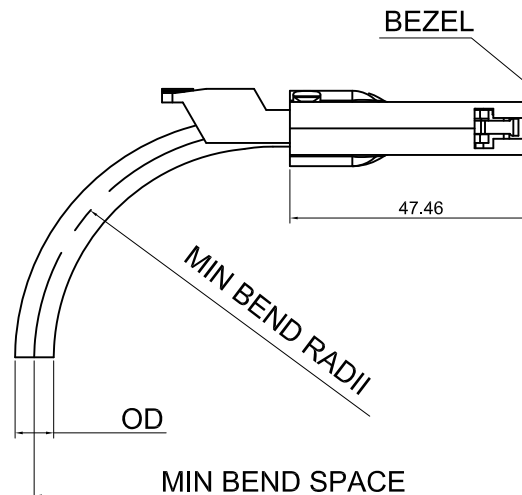


TABLE 3:

BEND RADII			
CABLE(AWG)	OD(mm)	MIN BEND RADIUS(mm)	MIN BEND SPACE
28	7.5	37.5	84.96
30	6.8	33.0	80.46

X. ±0.2	X° ±2°	UNITS mm	NAME(CUSTOMER USE)	 10GTEK TRANSCEIVERS CO., LTD
.X ±0.1	X° ±1.5°	MAT'L	PRODUCT NO. See Table 1	
.XX ±0.1	XX° ±1°	FINISH	APPD: NICKY	TITLE: QSFP TO CX4 PASSIVE COPPER CABLE ASSEMBLY
.XXX ±0.03	.XXX° ±0.5°		QTY	CHKD: TYRONE
THESE DRAWING AND SPECIFICATIONS ARE THE PROPERTY OF 10GTEK TRANSCEIVERS CO.,LTD. AND SHALL NOT BE REPRODUCED COPIED OR USED IN ANY MANNER WITHOUT THE PRIOR WRITTEN CONSENT OF 10GTEK TRANSCEIVERS CO.,LTD			DR: FAN	SCALE SHEET REV. 1:1 2/2 1.1